



Model 301B 4-Channel Audio Combiner / Amplifier w/ Remote Master Volume and Mute Control



- ✓ *Have several radios in your vehicle?*
- ✓ *Volume not loud enough?*
- ✓ *Need to combine multiple audio sources into one speaker?*
- ✓ *Want to adjust the volume and/or mute up to 4 radios at once?*

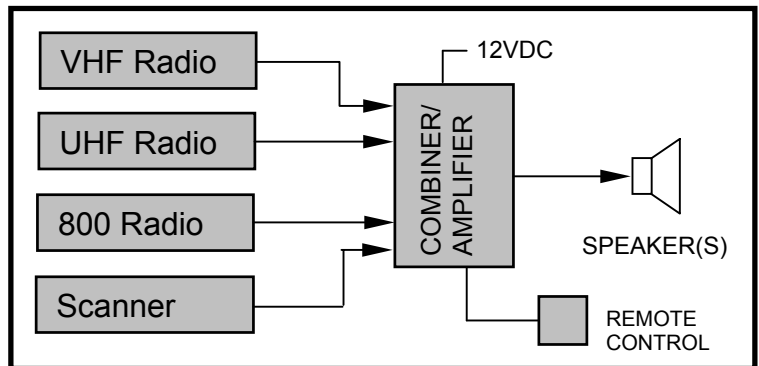
Building upon our popular Model 201 Basic Combiner / Amplifier, Fleet Radio has introduced the Model 301 with built-in remote master volume and mute control. This handy remote allows the operator to adjust the volume level of all 4 inputs at once. No more adjusting each radio to compensate for noise levels. And the built-in mute feature means no more turning each one down when the phone rings.

Features

- 65W@2Ω MAX, 45Wrms@2Ω (10%THD) CONTINUOUS (Typical Mobile Radio = 5W)
- 4 Transformer Isolated Inputs
- Compatible with *any* radio
- Individual Input Level Controls
- No audible "pop" or "thump" during turn-on
- RFI/EMI and Alternator Noise Filtering
- Fully Protected Output Stage
- Thermal Shutdown Protection
- Fault Diagnostics & Power ON Indicators
- Remote Turn-On (low-current activation) Input
- CNC Machined Cast-Aluminum Case
- Stainless Steel Hardware
- 8-18VDC 4A (5A Fuse), 91mA Standby
- Frequency Response: 30Hz-20KHz
- 90dB Mute Attenuation
- 4.53 x 3.24 x 1.57" LWH w/o Flanges
- 2 Year No-Hassle Warranty

Applications

- *Fire Apparatus*
- *Ambulances*
- *Police Vehicles*
- *ENG / Command Vehicles*
- *Towing / Recovery Vehicles*
- *Amateur Radio Operators*



Fleet Radio Products, LLC
 1215 Lodema Ln.
 Duncanville, TX 75116



Made In USA

For More Information:
www.fleetradioproducts.com

Order Online or Call:
 (214) 587-8606

M-F 8AM-5PM CST



For Agencies and Departments:

Quantity discounts are available. Recognized agencies, departments, and municipalities automatically receive NET 30 Terms. If you would like to receive a written quote, please call us with your project details.